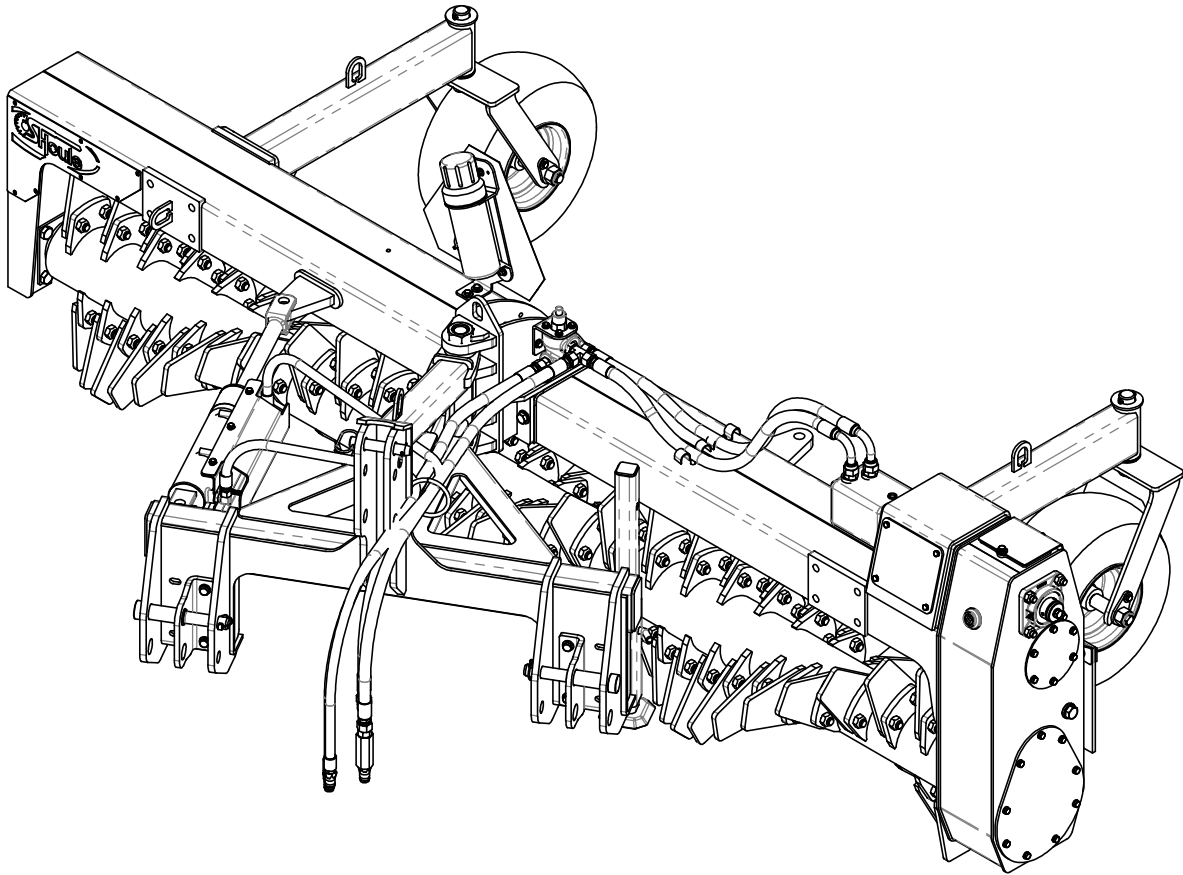




# OWNER'S MANUAL



CAT # R0110-60006

**ROCK RAKE WD-10H**  
**R0110-00004**



Introduction.....	3
Safety .....	4
Operation .....	9
Dimensions .....	12
Configurations .....	13
Adjustments and Maintenance .....	14
Mounting instructions and Parts .....	16
Cylinder, guard, relief and wheel assembly .....	16
Rear guard assembly .....	18
Rock Rake WD-10H front mounting (3 points attach) .....	19
Rock Rake WD-10H rear mounting (3 points attach) .....	20
Rock Rake WD-10H front mounting (Skid Steer attach) .....	21
Rock Rake WD-10H hydraulic hoses kit .....	22
Other Parts .....	26
Rock Rake WD-10H .....	26
WD-10H Frame assembly .....	28
Skid Steer attachment .....	30
3 Points attachment .....	32
Rock Rake tooth kit .....	34
Warranty .....	35
Product registration .....	36



Congratulations on your purchase of your new **Fabrication S. Houle inc.** equipment!

This **Owner's Manual** is your principal reference in regards to your new equipment. To ensure your equipment delivers many years of quality use, it is important that you follow the use and maintenance guidelines set out in this manual. We urge you and those who will be using and/or performing maintenance on this equipment to ensure that **you have read and understood the contents of this manual prior to first use.**

Please keep this **Owner's Manual** within reach so that you may quickly consult it, as often as necessary. In case of ownership transfer, please ensure that you also remit this manual to the new owner or user.

Should you have any questions, or to obtain more information or additional copies of this manual, please contact us at:

**Fabrication S. Houle Inc.**

300 Industrial Boulevard  
St-Germain-de-Grantham, Qc. Canada J0C 1K0  
Tel.: (819) 395-4380 Fax: (819) 395-5516  
Toll Free: 1-888-404-4380  
Email: [info@shoule.com](mailto:info@shoule.com)  
Web: [www.shoule.com](http://www.shoule.com)

*Locate this symbol – it could save your life*

This symbol is the standard safety symbol. You will find it on most of the decals on your equipment. It is also used throughout this manual.

This symbol is used mainly to draw your attention and to warn you of possible dangers and/or potential injuries.

**It is vital that you read and understand completely the following instructions and safety rules prior to using your equipment.**



The safety symbol accompanied by the word “DANGER” indicates an immediate danger capable of causing serious injury or death.



The safety symbol accompanied by the word “WARNING” indicates a potential danger capable of causing serious injury or death.



The safety symbol accompanied by the word “CAUTION” indicates a potential danger capable of causing injury.

Being well informed is your best protection against accidents. It is therefore important that you give particular attention to the safety guidelines presented in this manual.

**Think SAFETY! Work SAFELY!**





As the owner of this equipment, you are responsible for the safety of its users and those who are responsible for its maintenance. You and any other person using or performing maintenance on this equipment must be familiar with its operation and maintenance, as well as the safety measures contained in this manual. Having safe working practices guarantees a safer work environment.

The owner of this equipment must inform any user of any and all instructions related to proper operation and use of this equipment, prior to first use.

The user must read, understand and respect all operating and safety instructions contained in this manual. A user who is unaware or ignores the operating and safety instructions contained herein is not qualified to operate this equipment, and exposes him/herself and bystanders to possible serious injury and or death.

Do not in any way modify this equipment. Unauthorized modifications could impair the proper functioning and/or safety of this equipment and possibly affect its useful life as well.

### **General Safety Measures**

1. Read and understand all operating and safety instructions and guidelines contained in this manual prior to using, maintaining or adjusting the equipment.
2. Ensure all safety guards and shields are properly installed prior to using the equipment.
3. Always have a first aid kit within reach, and know how to use it.
4. Always have a fire extinguisher within reach, and know how to use it.
5. Wear appropriate safety gear, such as: hard hat, safety boots, safety goggles, gloves, ear plugs, etc.
6. Clear the area of people, especially children, prior to engaging the equipment.

### **Operating Safety**

In addition to reading and fully understanding this manual,



you should:

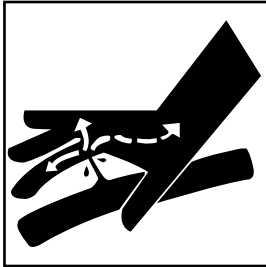
1. Lower the rock rake, stop the tractor's engine, set controls to neutral, engage the emergency brake, remove the tractor's ignition key and wait for all moving parts to come to a full stop prior to adjusting, detaching or servicing the rock rake.
2. Keep hands, feet, hair and all clothing away from all moving parts and/or rotating parts.
3. Do not allow passengers on the rake or tractor.
4. Do not remove protective guards or shields. Ensure they are in place and properly attached.
5. Clear the area of all people, especially small children, prior to engaging the rake and/or the tractor.
6. Do not operate the rake on steep hills or slopes.
7. Be extremely cautious while servicing or while near high pressure hydraulic systems. Ensure all components are fully sealed and in good working order prior to operating the equipment.
8. Ensure all reflectors, lights and the safety triangle are clean prior to transportation on public roads. Check with local authorities to ensure you are compliant with all lighting requirements.
9. Stay well away from the rock rake while it is in operation to avoid being hit by flying rocks and/or debris that may be ejected into the air.

## **Maintenance Safety**

In addition to reading and fully understanding this manual, you should:

1. Lower the rock rake, stop the tractor's engine, set controls to neutral, engage the emergency brake, remove the tractor's ignition key and wait for all moving parts to come to a full stop prior to adjusting, detaching or servicing the rock rake.
2. Keep hands, feet, hair and all clothing away from all moving parts and/or rotating parts.

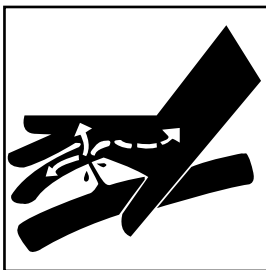
3. Clear the area of all people, especially small children, prior to engaging the rake and/or the tractor.
4. Place safety stands or blocks underneath the frame prior to removing the tires or working underneath the rock rake.



5. Be extremely cautious while servicing or while near high pressure hydraulic systems. Ensure all components are fully sealed and in good working order prior to operating the equipment. Wear appropriate safety gear to protect your eyes and hands. Use a piece of wood or cardboard as a shield when examining a hose or fitting for a leak.
6. Always relieve pressure prior to disconnecting or servicing hydraulics.
7. Always use original parts when any need replacing.
8. Do not in any way modify this equipment, its components or its intended use. Fabrication S.Houle inc. will not be held responsible should breakage or injury occur as a result of using any non-approved parts or accessories.
9. Do not operate equipment that is defective or that has parts missing.
10. Inspect nuts and bolts regularly and ensure they are tightly secured.

### Hydraulic System Safety

In addition to reading and fully understanding this manual, you should:



1. Always set the hydraulic controls to neutral prior to disassembling the hydraulic system.
2. Be extremely cautious while servicing or while near high pressure hydraulic systems. Ensure all components are fully sealed and in good working order prior to operating the equipment. Wear appropriate safety gear to protect your eyes and hands. Use a piece of wood or cardboard as a shield when examining a hose or fitting for a leak.



## **Transportation Safety**

In addition to reading and fully understanding this manual, you should:

1. Check with local authorities to ensure you are compliant with all machinery transportation safety requirements.

## **Storage Safety**

1. Store the rock rake in an area well away from human activity.
2. Store the rock rake in the lowered position.
3. Do not allow children to play near the stored rock rake.

## **Tire Safety**

1. Failure to follow appropriate directions while installing a tire on a wheel or rim may result in a blow-out, which could cause serious injury or death.
2. Never attempt to install a tire unless you have the materials and equipment required and have appropriate experience to do so.
3. See a well known tire repair facility or dealer for any repair or maintenance work required.



## **To the New Operator or Owner**

The Fabrication S.Houle Rock Rakes are designed to efficiently windrow rocks from 2 to 12 inches (50 to 300 mm) diameter. Many of the features incorporated into this machine are the result of suggestions made by customers like you.

It is the owner or operator's responsibility to read this manual carefully to learn how to operate the machine safely and how to set it to provide maximum efficiency. Safety is everyone's business. By following safe operating practices, a safe environment is provided for the operator and bystanders.

By following the operating instructions in conjunction with a good maintenance program, your Rock Rake will provide many years of trouble-free service.

## **Principles of Operation**

The machine has a rotating drum that has a spiraling set of teeth bolted to it. As the drum rotates and the machine moves along the field, the teeth move the rocks along the front of the drum to form a windrow of rocks on the right side.

## **Operation**

Familiarize yourself with the various settings of the Rock Rake that are designed to allow the machine to work in a variety of field conditions. Field experience will indicate the combination of machine and operating condition to give a quality job. This section will cover the interaction of the field conditions and machine settings.

### **1. Operator's Responsibility**

Every operator should read this manual and be instructed in safe operating procedure. An untrained operator is not qualified to operate this machine and could place themselves or bystanders in danger.

### **2. Field Conditions**

#### **2a. Rock Density**

Rate the rock density as light, medium or heavy. Normally the machine ground speed will decrease as the rock density



increases to insure that the teeth on the spiral drum have the opportunity to make contact with each rock.

## **2b. Soil Condition**

Dry, firm ground is ideally suited for raking.

Soft ground will require adjustments to the angling of the spiral drum to insure that the soil can fall between the teeth on the right end and not be moved into the windrow.

Wet soil will ball up with the rocks and can plug the teeth. Give the soil more time to dry before raking.

It is recommended that the teeth on the left end of the drum penetrate the ground about 1 to 2 inches (25 to 50mm).

## **3. Drum Rotation**

The drum rotates at rated RPM when the tractor PTO speed is 540 RPM, which correspond to about 1750 RPM of tractor engine. Changing the engine speed changes the drum RPM. It is recommended that the PTO/Drum speed always be run at rated RPM and the ground speed be varied by changing gears in the tractor.

## **4. Forward Speed**

The recommended ground speed varies from 2 to 6 mph (3 - 9 km/h) and is determined by rock density and size. When you see that rocks are being missed behind the machine, slow down. Increase the ground speed when the rock density decreases.

## **5. Spiral Drum Angle**

The angle that the spiral drum makes when it contacts the ground is defined as the spiral drum angle. It can be varied by moving the wheel mount clamps on the end of each wheel leg.

It is recommended that the right end of the drum be set 1 to 1-1/2 inches (25-40mm) higher than the left end. This will allow the soil picked up with the rocks to fall through the teeth at the right end and not become part of the rock windrow. Picking will be much easier when the windrow does not include soil.

## 6 . Transporting



Be sure the SMV sign is facing to the rear.

Clean the SMV sign, lights, and reflectors. If the SMV sign of the tractor is partially hidden by the rock rake, a second SMV sign must be present on the rock rake.

Always use the hazard flashers on the tractor when transporting.

Slow down and pull off to the side of the road when meeting other traffic.

Do not exceed 20 mph (32 km/h) when transporting. Never exceed a safe travel speed. Slow down when cornering or on rough roads.

Do not allow riders on the machine or tractor when transporting.

## 7. Storage

After the season's use, completely inspect all major systems of the machine. Repair or replace any worn or damaged components to prevent unnecessary down time at the beginning of next season. The machine should be carefully prepared for storage to insure that all dirt, mud, debris and moisture has been removed.

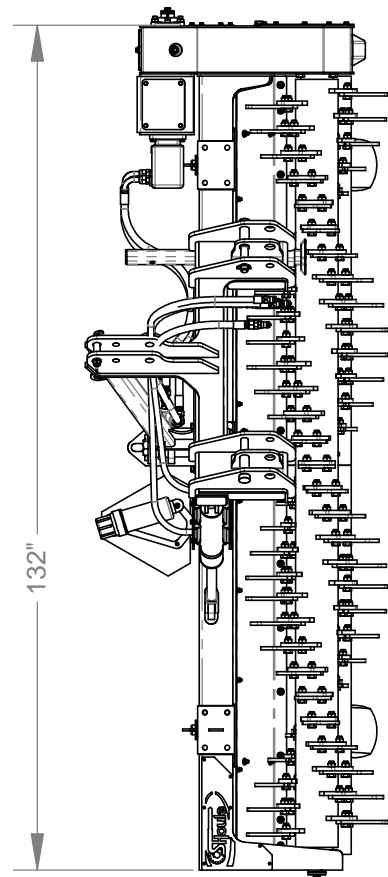
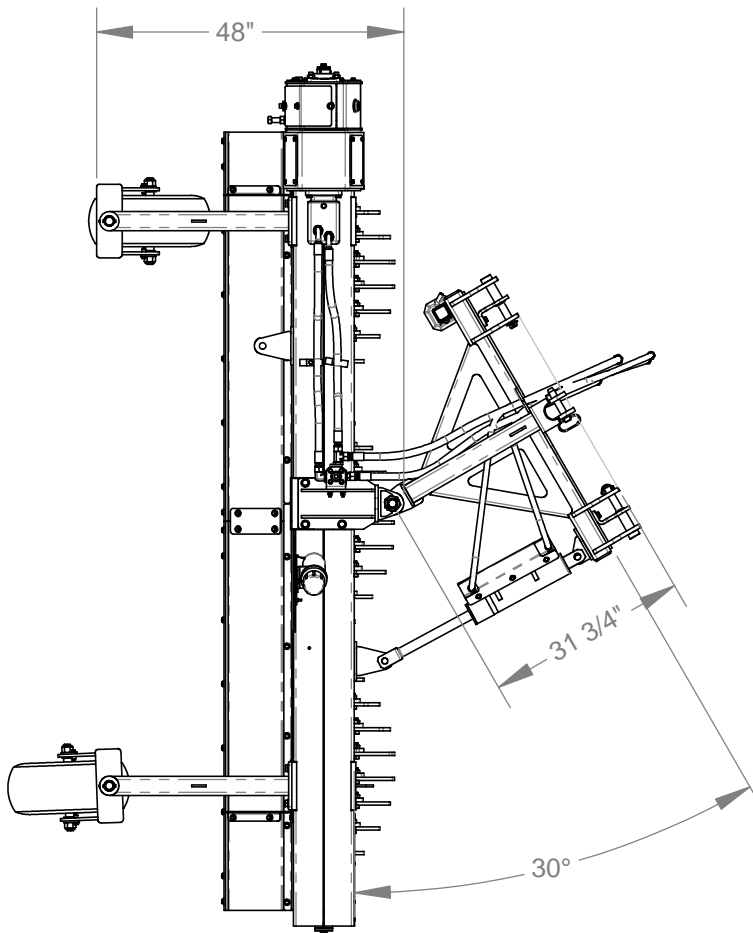
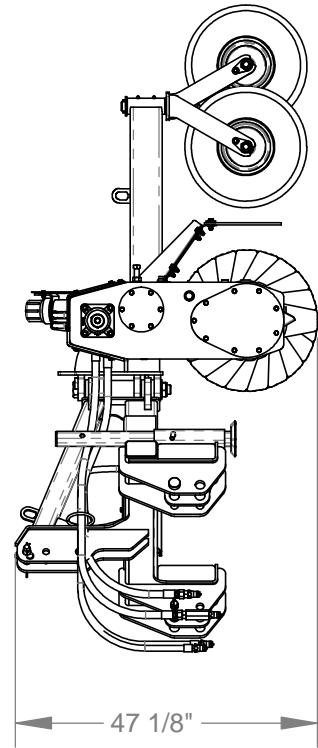
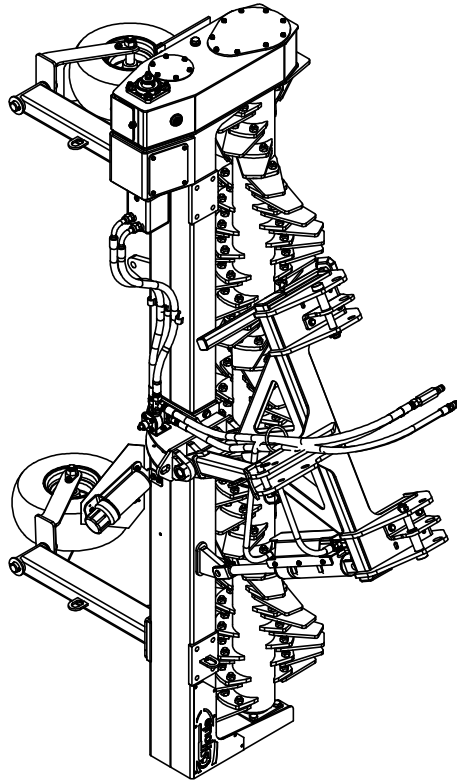
Follow this procedure when preparing for storage:

1. Wash the entire machine thoroughly using a water hose or pressure washer to remove all dirt, mud debris or residue.
2. Inspect all moving or rotating parts to see if anything has become entangled in them. Remove the entangled material.
3. Lubricate all grease fittings to remove any moisture in the bearings.
4. Run the machine slowly for 1 minute to distribute lubricant to all surfaces.
5. Inspect all hydraulic hoses, fittings, lines and couplers. Tighten any loose fittings. Replace any hose that is badly cut, nicked or abraded or is separating from the crimped end of the fitting.
6. Touch up all paint nicks and scratches to prevent rusting.
7. Oil the exposed rams on the hydraulic cylinders to rusting.
8. Select an area that is dry, level and free of debris.



**ROCK RAKE WD-10H**  
**R0110-00004**

*Dimensions*

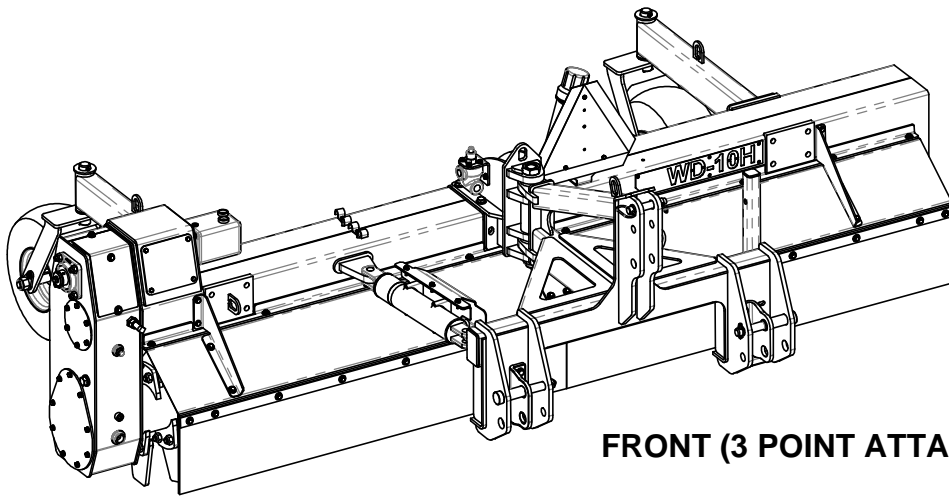




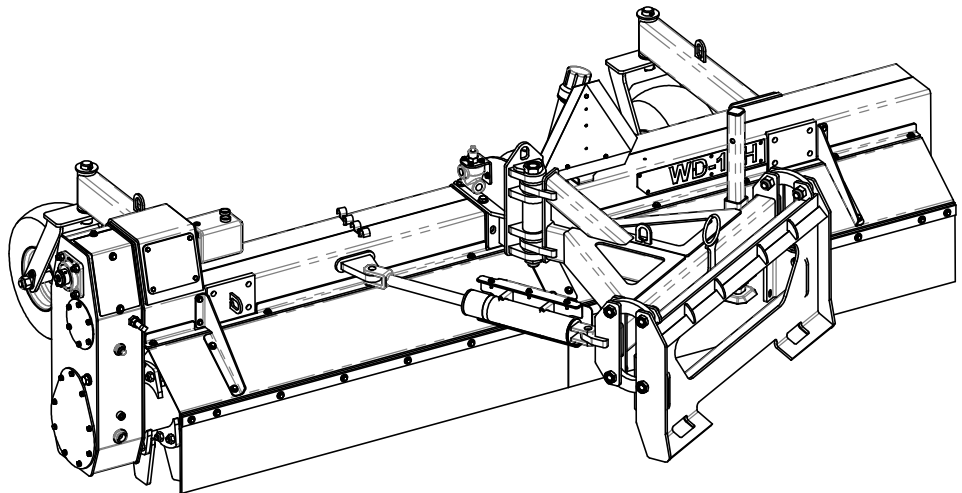


**ROCK RAKE WD-10H**  
**R0110-00004**

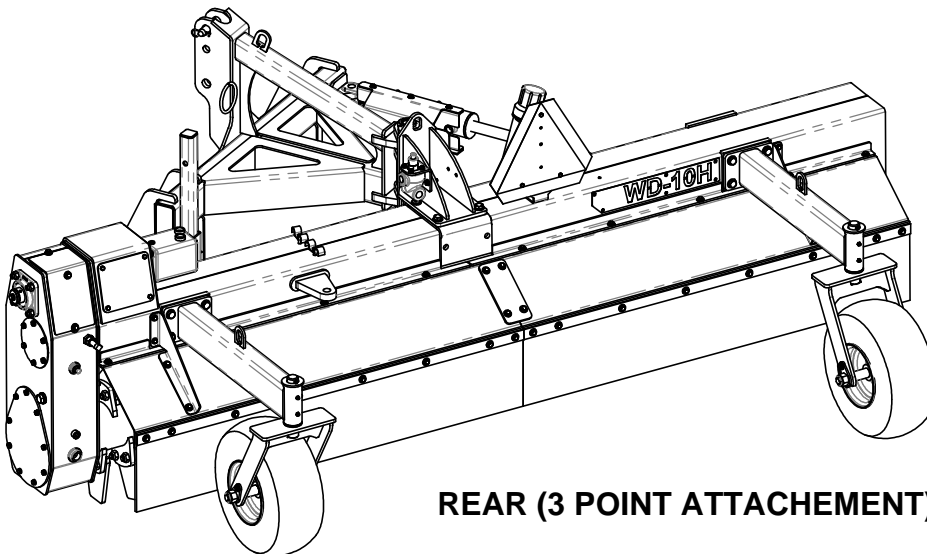
*Configurations*



**FRONT (3 POINT ATTACHEMENT)**



**FRONT (SKID STEER)**



**REAR (3 POINT ATTACHEMENT)**



## Prior to First Use

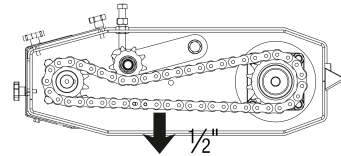
1. Read this owner's manual carefully.
2. Lubricate all grease points.
3. Check all nuts, bolts and hardware.
4. Check chain case oil level

## After Two (2) and Eight (8) Hours of Use

1. Make a visual inspection of unit
2. Tighten wheel bolts.
3. Check all hardware.
4. Check all hydraulic system fittings.

## Every Twenty-five (25) Hours of Use

1. Lubricate all grease points.
2. Lubricate chain bearings.
3. Lubricate spiral drum bearings.
4. Lubricate wheel pivots.
5. Adjust the chain tension, ensuring there is no more than  $\frac{1}{2}$ " sag in the lower span (see illustration on right).
6. Check and adjust chain case oil level. Fill with new oil at the beginning of a new season.



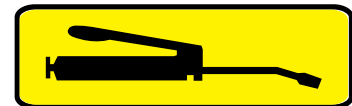
## Inverting the Rock Rake's Teeth

The spiral drum's teeth have been designed to be easily inverted when one side becomes too worn. To invert, remove the bolts. Turn the tooth over and simply bolt it back into place securely, with stover nuts ( $\frac{3}{4}$ "-16NF x 2" bolts with  $\frac{3}{4}$ "-16NF stover nuts). While facing the rock rake, place the tooth on the left side of its support. Fasten the bolts to 215 lbs-ft (291 Nm).



## Greasing

A greasing decal is located near each grease point.





### **During lubrication:**

1. Use only a manual hand held grease gun.
2. Clean the couplers and fittings with a clean cloth prior to lubricating.
3. Replace fittings immediately if they damaged or broken.
4. If fittings are difficult to lubricate, remove and clean them thoroughly, and replace them if necessary. Also clean the lubricant passageway.
5. Inject lubricant until the excess is expelled through the bearing or bushing areas.

### **Types of Lubricants**

#### **1. Grease**

Use an SAE multi-purpose high temperature grease with extreme pressure (EP) performance. A lithium-based SAE multi-purpose grease is also acceptable.

#### **2. Chain case reservoir oil**

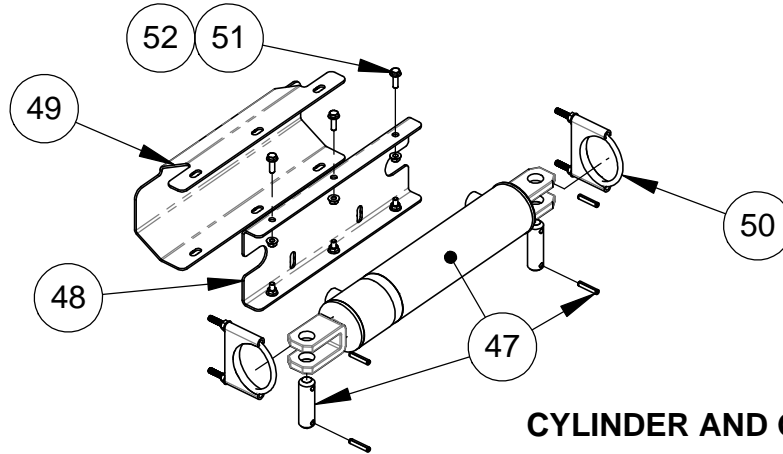
Use an SAE compatible 80W90 gear oil for all operating conditions.

#### **3. Lubricants Storage**

Always use clean and contaminant-free lubricants. Store them in clean, uncontaminated containers that have not been used to store other substances. Ensure the storage area is free of dust, humidity and other contaminants.



**STEP 1**

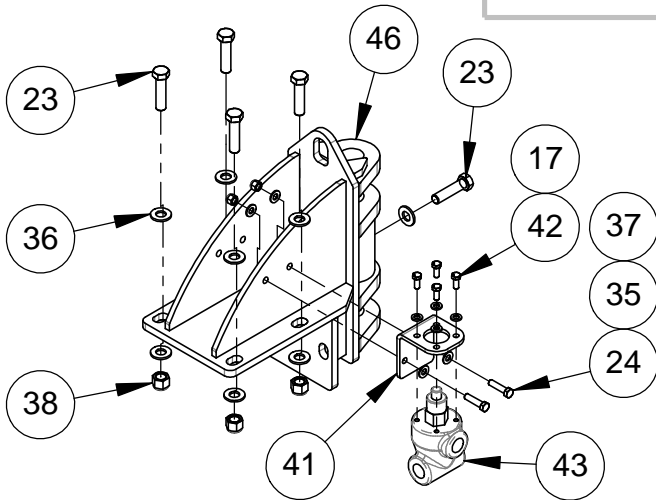


**CYLINDER AND GUARD ASSEMBLY**

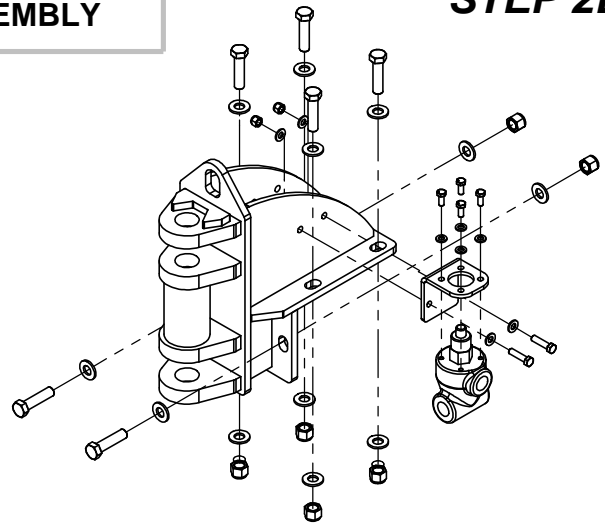
**STEP 2A**

**SWIVEL AND RELIEF VALVE ASSEMBLY**

**STEP 2B**

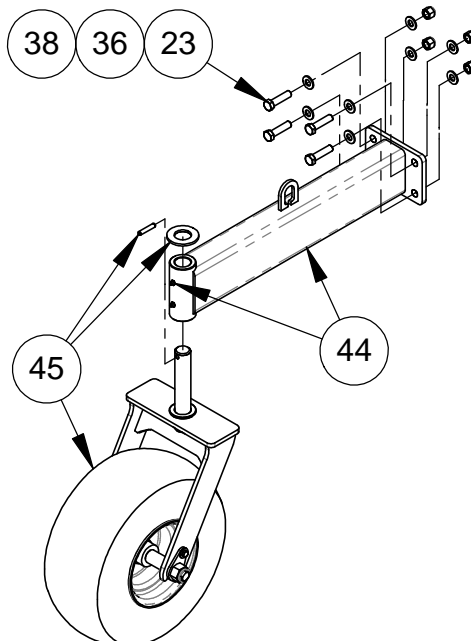


**(FRONT MOUNTING CONFIGURATION)**



**(REAR MOUNTING CONFIGURATION)**

**STEP 3**



**WHEEL ASSEMBLY (2X)**



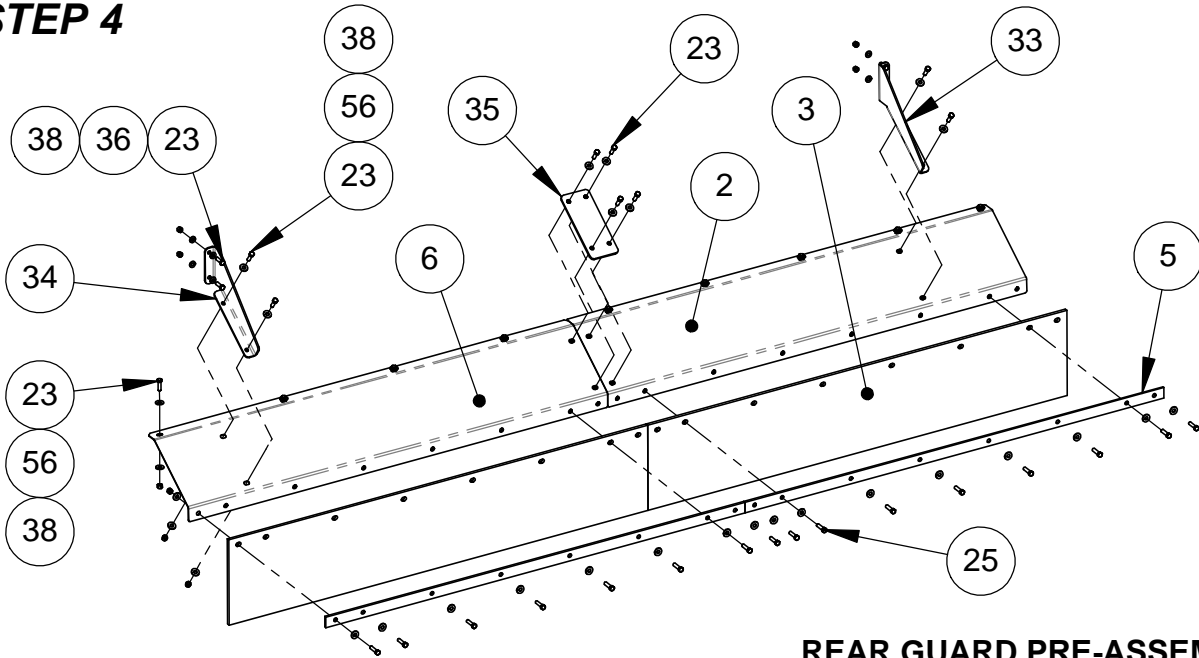
**ROCK RAKE WD-10H**  
**R0110-00004**

*Mounting instructions and parts*

ITEM	NO	DESCRIPTION	QTY
17	46AC006	LOCK WASHER 3/8"	22
23	45AA010110208	HEX BOLT 5/8-11NC X 2 1/2" GR5	12
24	45AA006160108	HEX BOLT 3/8-16NC x 1 1/2" GR5	18
35	46AB006	HARDENED FLAT WASHER 3/8"	12
36	46AB010	HARDENED FLAT WASHER 5/8	26
37	47AB00616	NYLON LOCK NUT 3/8"-16NC	39
38	47AB01011	NYLON LOCK NUT 5/8"-11NC	13
41	UN-31039	RELIEF VALVE BRACKET (31077)	1
42	45MA08125020	METRIC BOLT M8 X 1.25 X 20 GR 8.8	4
43	31077-P5	RELIEF VALVE (GREY)	1
44	R-05080	WHEEL ARM	2
45	R-03E01	WHEEL ASS'Y	2
46	R-05081	CENTRAL SWIVEL	1
47	30002-3	HYD. CYLINDER 3" X 12" (CLEVIS)	1
48	R-04063	GUARD	1
49	R-04064	GUARD	1
50	35045-2	MUFFLER CLAMP 3-1/2"	2
51	45AE005180100	WHIZ-LOCK BOLT5/16-18NC X 1"	6
52	47AE00518	FLANGE NUT 5/16-18NC	6
53	46AA004	FLAT WASHER 1/4"	2



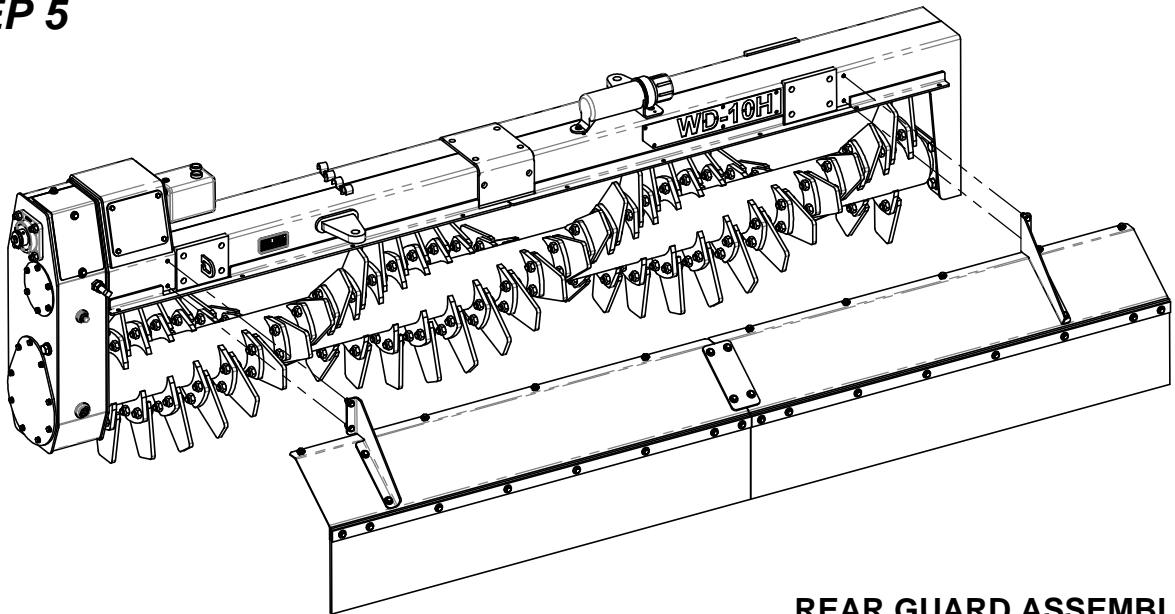
**STEP 4**



**REAR GUARD PRE-ASSEMBLY**

ITEM	NO	DESCRIPTION	QTY
2	R-04066	RIGHT GUARD	1
3	R-04050	RUBBER GUARD	2
5	R-04051-P1	GUARD SUPPORT (YELLOW)	2
6	R-04065	LEFT GUARD	1
23	45AA006160104	HEX BOLT 3/8-16NC x 1 1/4" GR5	23
33	R-05082	RIGHT GUARD BRACKET	1
34	R-05083	LEFT GUARD BRACKET	1
35	R-05008-16	GUARD ATTACH	1
36	46AB006	HARDENED FLAT WASHER 3/8"	12
38	47AB00616	NYLON LOCK NUT 3/8"-16NC	39
56	46AA006	FLAT WASHER 3/8"	69

**STEP 5**

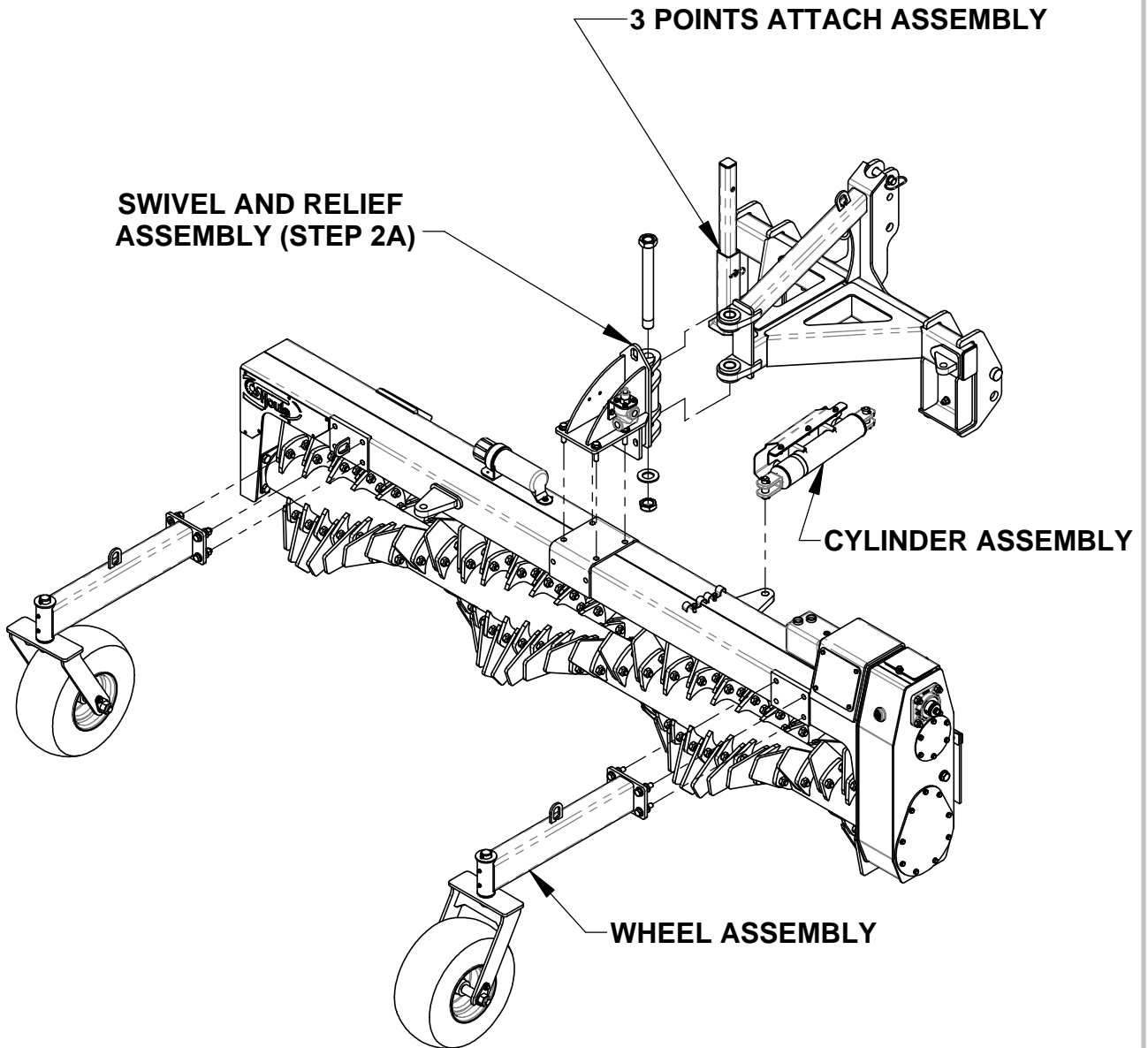


**REAR GUARD ASSEMBLY**



**STEP 6A**

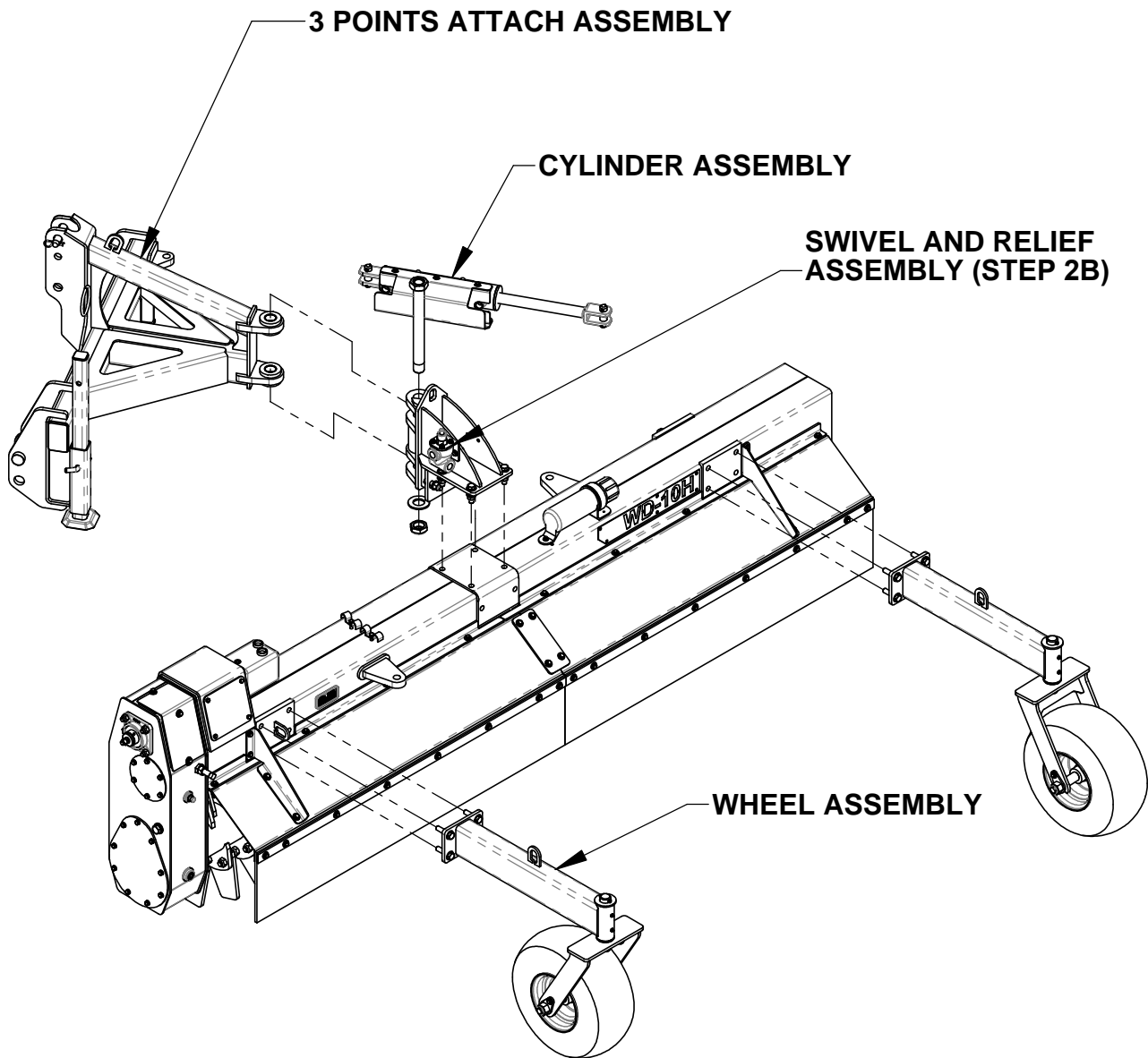
**FRONT MOUNTING**  
**(FOR 3 POINTS ATTACH)**





**STEP 6B**

**REAR MOUNTING  
(FOR 3 POINTS ATTACH)**

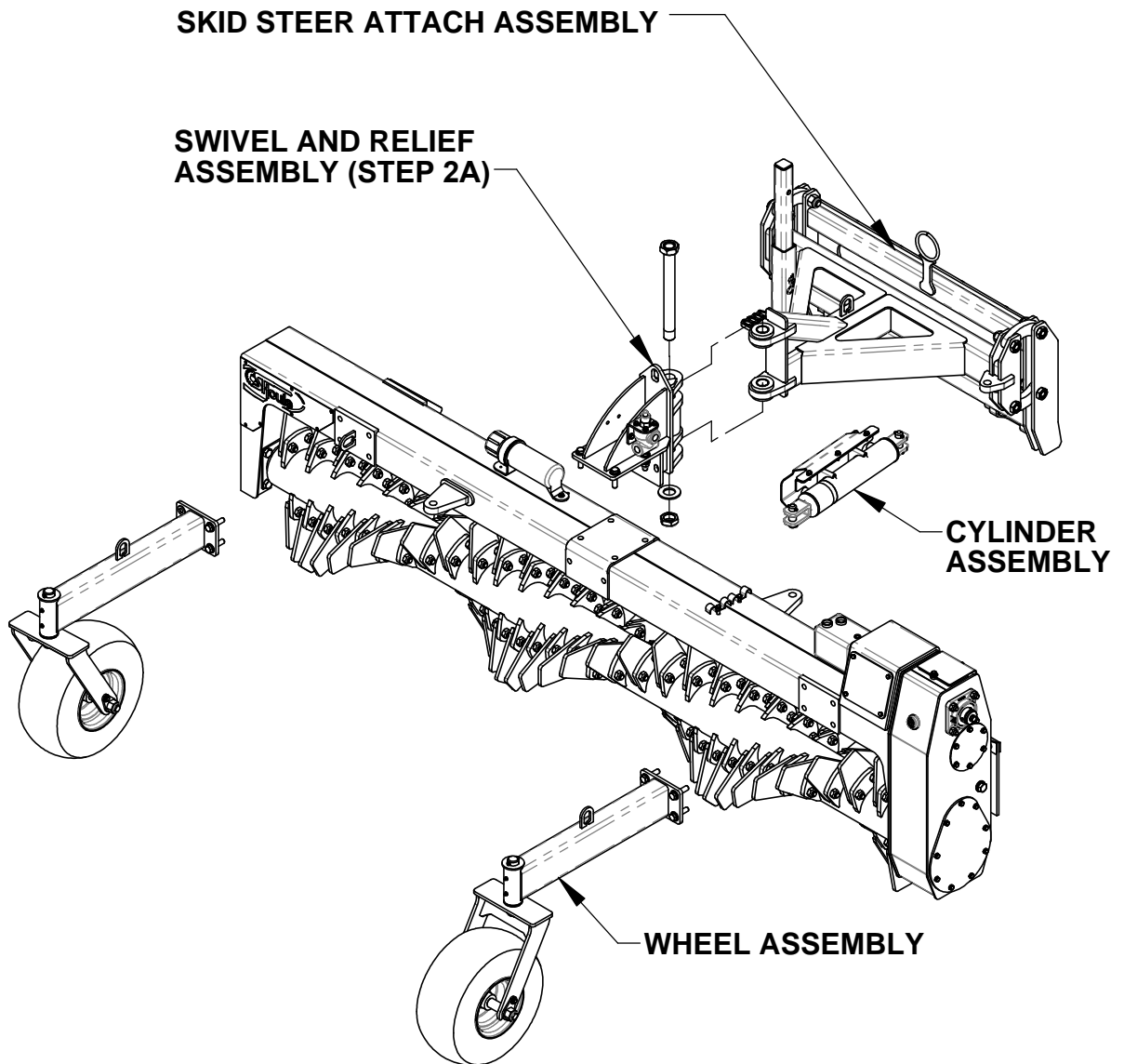






**STEP 6C**

**FRONT MOUNTING  
(FOR SKID STEER ATTACH)**

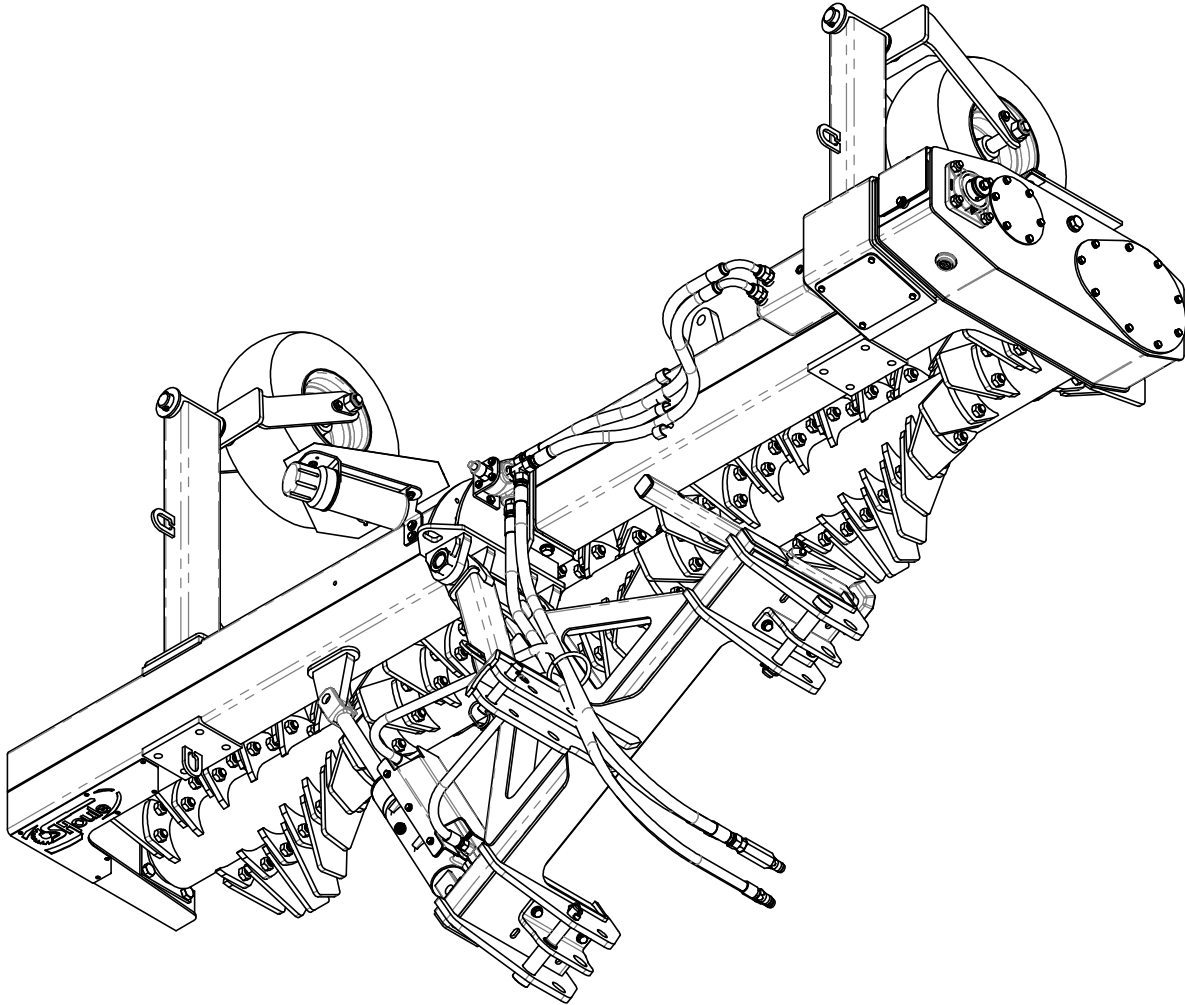




**STEP 7**

**HYDRAULIC KIT MOUNTING**

*Refer to page 23 to 25  
for hoses descriptions*





**ROCK RAKE WD-10H HYD. HOSES KIT**  
**R0110-29E01**

*Mounting instruction and parts*



11

**HYD. CYLINDER**  
3" X 12"(30002-3)

12

**RELIEF VALVE**  
(31077)

**HYD. MOTOR**  
(3105-5)



10

9

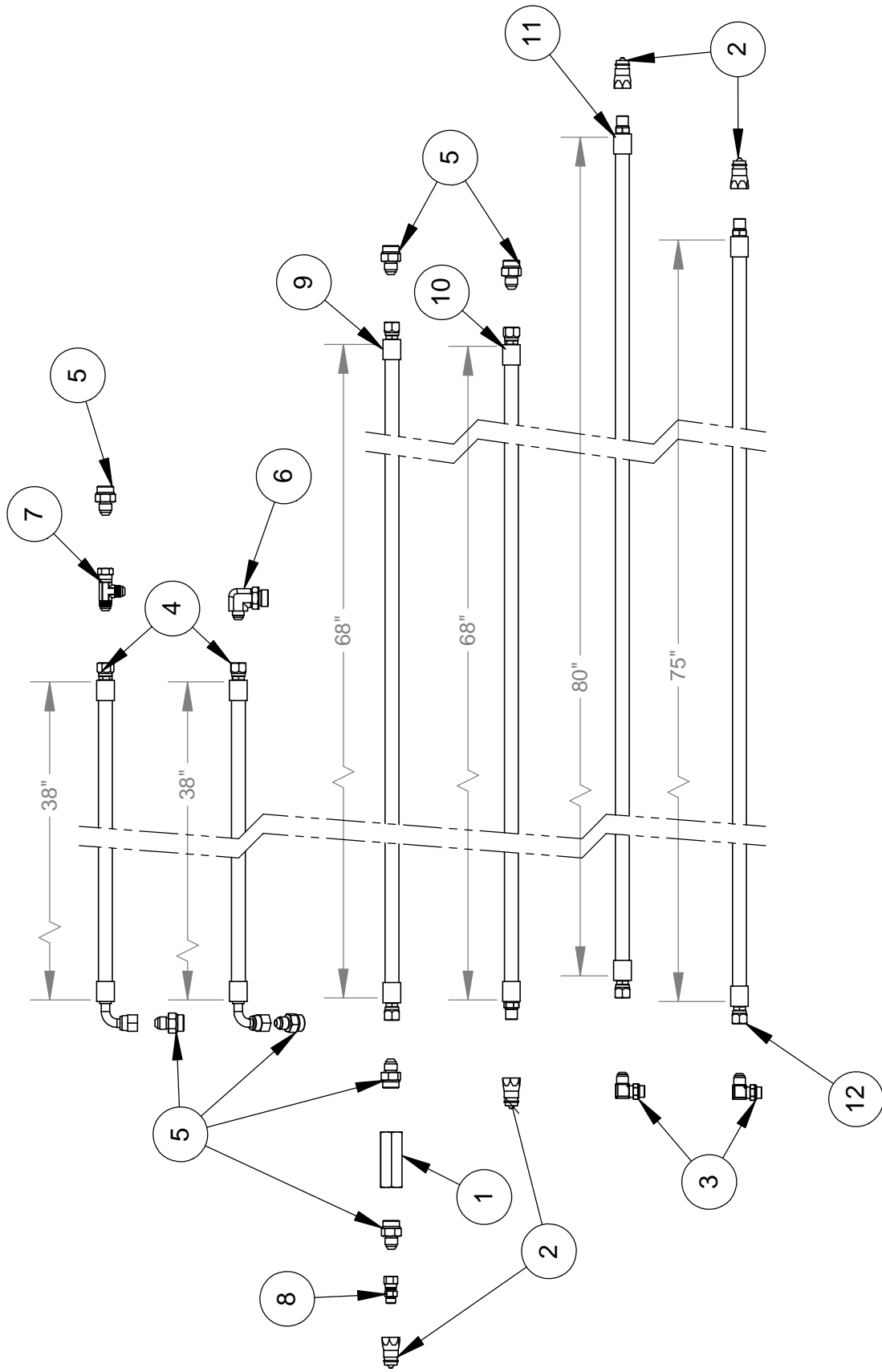
4





# ROCK RAKE WD-10H HYD. HOSES KIT R0110-29E01

*Mounting instruction and parts*





**ROCK RAKE WD-10H HYD. HOSES KIT**  
**R0110-29E01**

*Mounting instruction and parts*

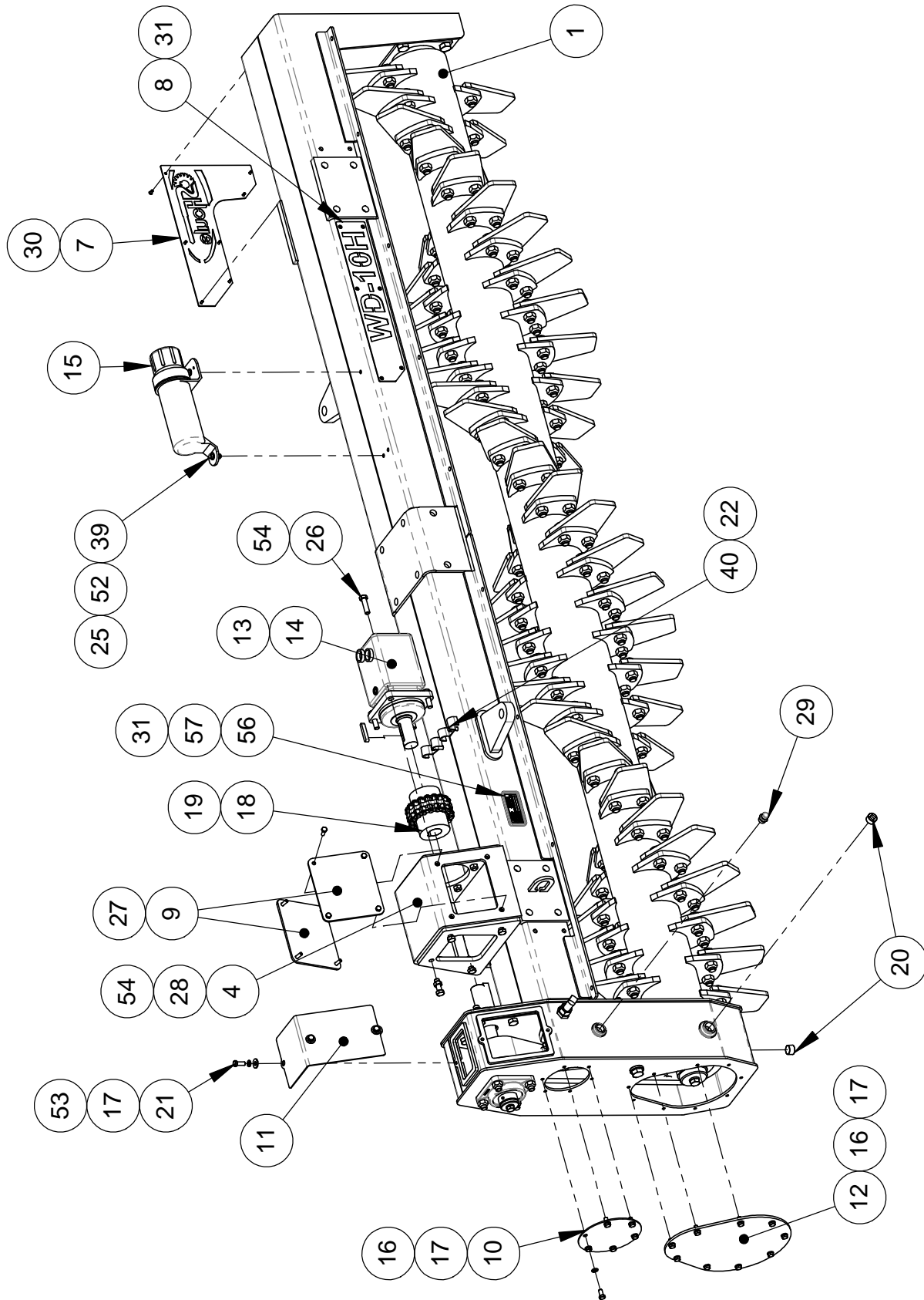
ITEM	NO	DESCRIPTION	QTY
1	31062	CHECK VALVE	1
2	31016-2	QUICK COUPLER MALE 1/2"ORB(F) (S71-15P)	4
3	31013-16	ADAP. 1/2" ORB(M) / 1/2" JIC(M)(90)	2
4	UN-29010-038	HYD. HOSE 1/2" BP 1/2" JIC(F) x 1/2" JIC(F)(90) X 38"	2
5	31014-46	ADAP. 3/4" ORB(M) / 1/2" JIC(M)(STR)	7
6	31013-19	ADAP. 3/4" ORB(M) / 1/2" JIC(F)(90)	1
7	31002-12	ADAP. 1/2 JIC(M) / 1/2 JIC(M) / 1/2 JIC(F)(RUN TEE)	1
8	31014-66	ADAP. 1/2" ORB(M) / 1/2" JIC(F)(STR)	1
9	UN-29009-068	HYD. HOSE 1/2" LP 1/2" JIC(F) x 1/2" JIC(F) X 68"	1
10	UN-29031-068	HYD. HOSE 1/2" LP 1/2" JIC(F) x 1/2" ORB(M) X 68"	1
11	UN-29031-080	HYD. HOSE 1/2" LP 1/2" JIC(F) x 1/2" ORB(M) X 80"	1
12	UN-29031-075	HYD. HOSE 1/2" LP 1/2" JIC(F) x 1/2" ORB(M) X 75"	1





ROCK RAKE WD-10H  
R0110-00004

Other Parts





**ROCK RAKE WD-10H  
R0110-00004**

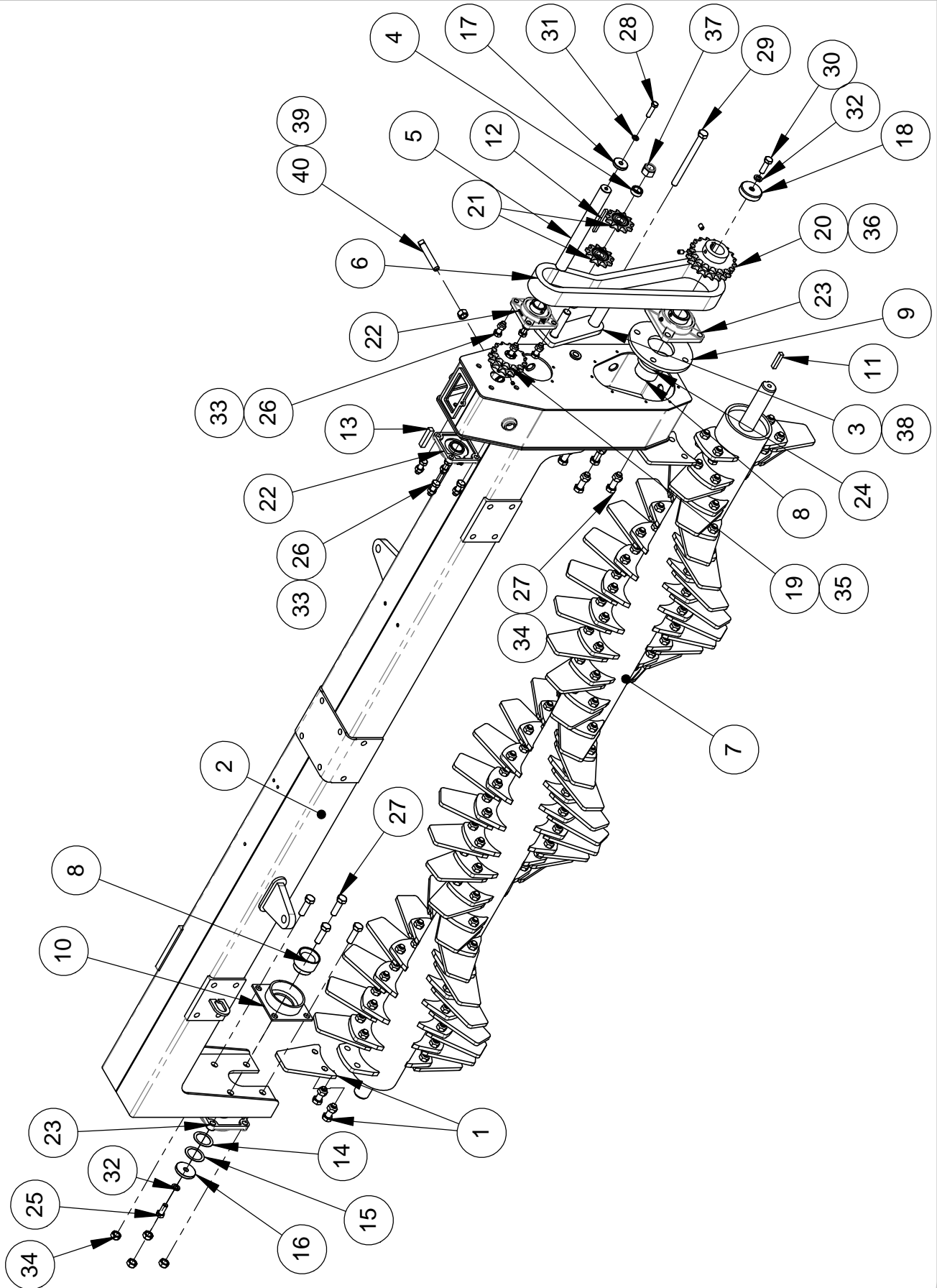
*Other Parts*

ITEM	NO	DESCRIPTION	QTY
1	R0110-05E04	WD-10H FRAME ASSEMBLY	1
4	R-04047	HYDRAULIC MOTOR SUPPORT	1
7	R-59014-P5	S HOULLE LOGO (GREY)	1
8	R-59013-P5	WD-10H LOGO (GREY)	1
9	R-04054	TORQUE LIMITER PROTECTOR	2
10	R-05003	COVER	1
11	R-05004	COVER	1
12	R-05005	COVER	1
13	UN-06001-26	KEY 3/8" X 3/8" X 2 1/4" 2RE	1
14	31055-5-P5	HYDRAULIC MOTOR 315cc (GREY)	1
15	36001	MANUAL HOLDER 3 1/4"	1
16	45AC006160012	HEX BOLT FULL TREAD 3/8-16NC x 3/4" GR5	15
17	46AC006	LOCK WASHER 3/8"	22
18	07051	SPOCKET CR 6018H	2
19	07052	DOUBLE CHAIN TRANSMISSION #60, 18 MESH	1
20	35017-4	3/4-NPT PLUG, SQUARE RECESD	3
21	45AA006160100	HEX BOLT 3/8-16NC x 1" GR5	3
22	45AA006160104	HEX BOLT 3/8-16NC x 1 1/4" GR5	23
25	45AA004200100	HEX BOLT 1/4-20NC x 1" GR5	2
26	45AA008130112	HEX BOLT 1/2-13NC X 1 3/4" GR5	4
27	45AA005180100	HEX BOLT 5/16-18NC X 1" GR5	8
28	45AA008130108	HEX BOLT 1/2-13NC X 1 1/2" GR5	4
29	31054	5 PSI VENT 1/2" NPT(M)	1
30	48AA030406	RIVET 3/16" X 1/4" - 3/8" SS	7
31	48AA030810	RIVET 3/16" X 1/2" - 5/8" SS	8
39	47AB00420	NYLON LOCK NUT 1/4-20 NC	2
40	31015-3	1" DOUBLE HOSE CLAMP	2
52	46AA004	FLAT WASHER 1/4"	2
53	46AA006	FLAT WASHER 3/8"	69
54	47AC00813	STOVER LOCK NUT 1/2-13NC	8
56	UN-59004	SERIAL NUMBER PROTECTOR	1
57	59003	SERIAL NO. IDENTIFICATION	1



**WD-10H FRAME ASS**  
**R0110-05E04**

*Other Parts*







**WD-10H FRAME ASS  
R0110-05E04**

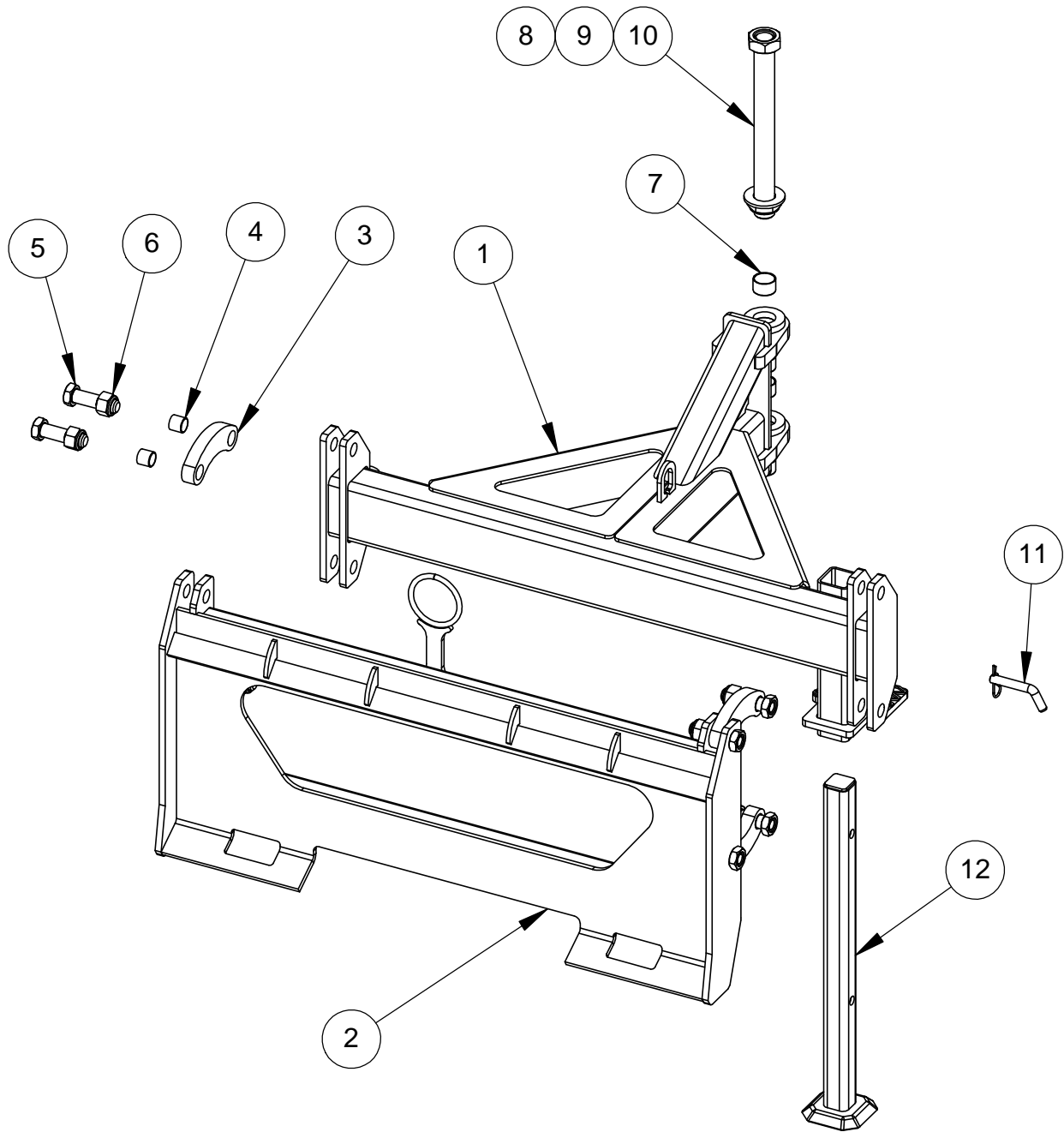
*Other Parts*

ITEM	NO	DESCRIPTION	QTY
1	R0110-14E01	ROCK RAKE TOOTH KIT	1
2	R-05079	WD-10B FRAME	1
3	R-06001	CHAIN TENSIONER	1
4	R-06026	SPACER	1
5	R-06030	SHAFT	1
6	R-07009	DRIVE CHAIN #80-2 (63")	1
7	R-14001	SPIRAL DRUM	1
8	R-14004	SPACER	2
9	R-14005	OIL SEAL SUPPORT	1
10	R-14006	PROTECTOR	1
11	UN-06001-32	KEY 1/2" X 1/2" X 2 1/2"	1
12	UN-06001-9	KEY 3/8" X 3/8" X 4" 2RE	1
13	UN-06001-38	KEY 5/8" X 5/8" X 3"	1
14	UN-28006-2	SHIM 2" 18GA	1
15	UN-28006-3	SHIM 2" 22GA	1
16	UN-28007-2	WASHER 5/8" ID X 2 3/4" OD X 3/8"	1
17	UN-28007-3	WASHER 1/2" ID X 2" OD X 3/8"	1
18	UN-28008-2	COMPRESSION WASHER 2"ID X 3" OD X 1/2" (5/8")	1
19	07036-3	SPROCKET D80B14 (1.500)	1
20	07036-4	SPROCKET D80B19 (1.500)	1
21	07040-2	SPROCKET (IDLER) 80A11H1 (1" BORE)	2
22	34006-2	FLANGE BEARING 1 1/2" UCF208-24	2
23	34006-3	FLANGE BEARING 2" UCF211-32	2
24	34011	OIL SEAL 2 1/2" (2.500-3.751-0.500)	1
25	45AA010110108	HEX BOLT 5/8-11NC X 1 1/2" GR5	1
26	45AA010110112	HEX BOLT 5/8-11NC X 1 3/4" GR5	8
27	45AA012100208	HEX BOLT 3/4-10NC X 2 1/2" GR5	8
28	45AA008130200	HEX BOLT 1/2-13NC X 2" GR5	1
29	45AA012100900	HEX BOLT 3/4-10NC x 9" GR5	1
30	45AA010110200	HEX BOLT 5/8-11NC X 2" GR5	1
31	46AC008	LOCK WASHER 1/2"	1
32	46AC010	LOCK WASHER 5/8"	2
33	47AC01011	STOVER LOCK NUT 5/8-11NC	8
34	47AC01210	STOVER LOCK NUT 3/4-10NC	9
35	45DA06160006	SOC. H. SET SCREW 3/8"-16NC X 3/8"	2
36	45DA08130012	SOC. H. SET SCREW 1/2"-13NC X 3/4"	2
37	47AB10014	NYLON LOCK NUT 1"-14NF	1
38	47AA10014	HEX NUT 1-14NF	1
39	47AA01210	HEX NUT 3/4-10NC	1
40	45DB012100408	SQUARE HEAD SET SCREW 3/4"-10NC X 4 1/2"	1



**SKID STEER ATTACHMENT ASSEMBLY FOR WD-10H**  
**R0110-05E05 (OPTION)**

*Other Parts*





**SKID STEER ATTACHMENT ASSEMBLY FOR WD-10H**  
**R0110-05E05 (OPTION)**

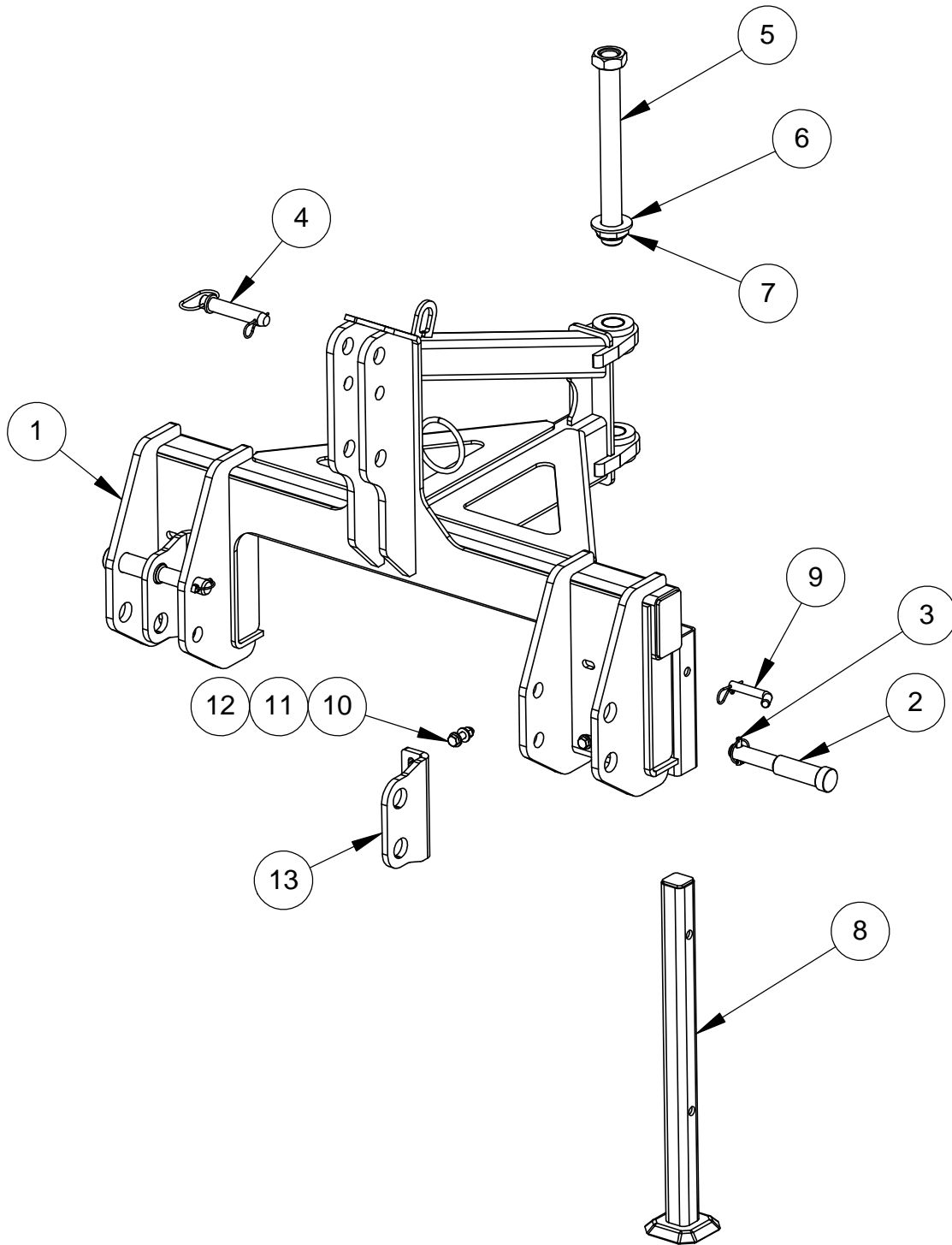
*Other Parts*

ITEM	NO	DESCRIPTION	QTY
1	R-05084	SKID STEER SWIVEL ATTACHEMENT	1
2	R-05085	SKID STEER INTERFACE ATTACHEMENT	1
3	R-05078-09	SKID STEER OSCILLATING ARM	4
4	34AA1616	PLAIN BEARING G300 1"ID X 1" LG	8
5	R-25011	PIN 1" X 3.5" LG	8
6	47AB10008	NYLON LOCK NUT 1"-8NC	8
7	34016-13	PLAIN BEARING G300 1 1/2" ID X 1" LG	4
8	47AG10806	THIN NYLON LOCK NUT 1 1/2-6NC	1
9	46AB108	HARDENED FLAT WASHER 1 1/2"	1
10	R-25009	PIN 1 1/2" X 14 3/8" LG	1
11	35011	BENT PULL PIN 5/8" X 3"	1
12	R-43038	STATIONARY SUPPORT	1



**ASSEMBLY ATTACHED 3 POINTS FOR WD-10H**  
**R0110-05E06 (OPTION)**

*Other Parts*





**ASSEMBLY ATTACHED 3 POINTS FOR WD-10H**  
**R0110-05E06 (OPTION)**

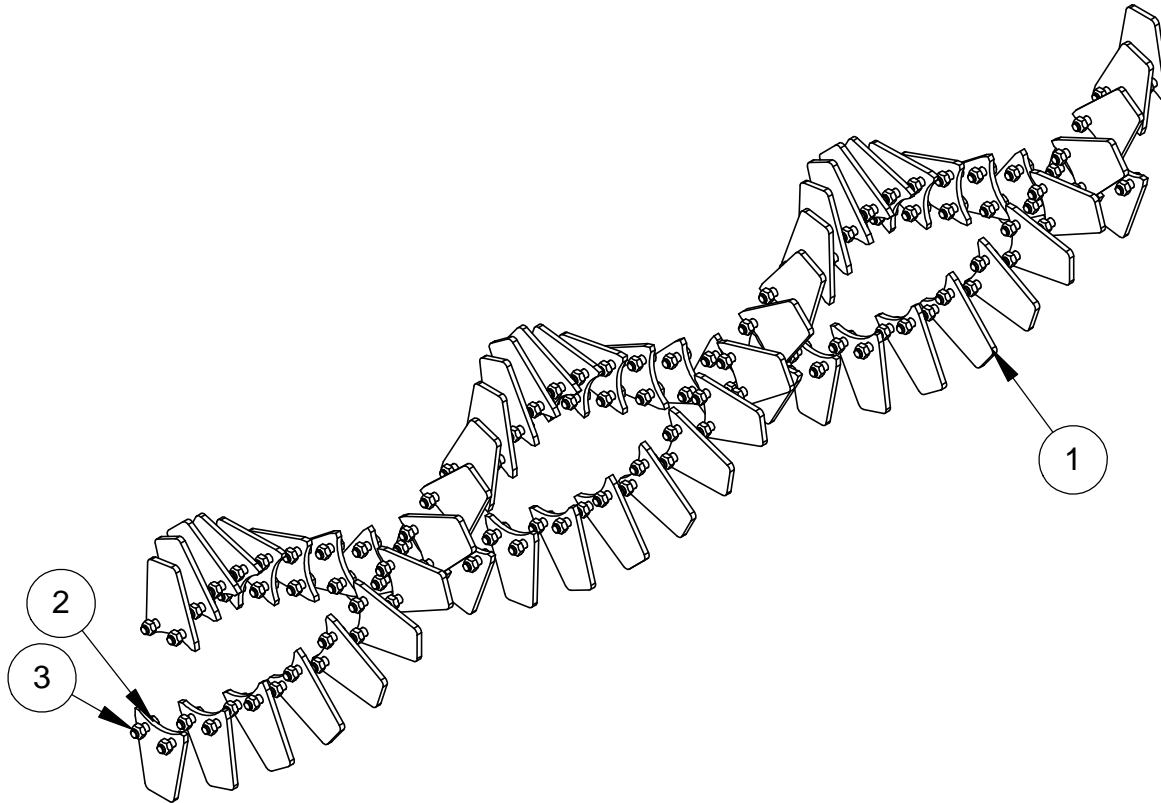
*Other Parts*

ITEM	NO	DESCRIPTION	QTY
1	R-05069	ROCK RAKE 3 POINTS	1
2	UN-25014	PIN CAT. 2 & CAT. 3 (1 1/8" - 1 7/16")	2
3	35001-6	LYNCH PIN 3/8" X 1 3/4"	2
4	35006-3	PIN 1" X 4 3/4"	1
5	R-25009	PIN 1 1/2" X 14 3/8" LG	1
6	46AB108	HARDENED FLAT WASHER 1 1/2"	1
7	46AB008	HARDENED FLAT WASHER 1/2"	8
8	47AG10806	THIN NYLON LOCK NUT 1 1/2-6NC	1
9	R-43038	STATIONARY SUPPORT	1
10	35011	BENT PULL PIN 5/8" X 3"	1
11	45AA008130200	HEX BOLT 1/2-13NC X 2" GR5	4
12	47AB00813	NYLON LOCK NUT 1/2-13 NC	4
13	UN-20030-P5	3 PTS MIDDLE BRACKET (GRAY)	2



# ROCK RAKE TOOTH KIT R0110-14E01

*Other Parts*



ITEM	NO	DESCRIPTION	QTY
1	UN-14002	ROCK RAKE TOOTH	61
2	45AA012160200	HEX BOLT 3/4-16NF. X 2" GR5	122
3	47AC01216	STOVER LOCK NUT 3/4-16NF	122



## Fabrication S.Houle limited guarantee on Agricultural and Commercial Equipment.

Fabrication S.Houle Inc. guarantees every new Farm and commercial product of the manufacturer S.Houle against any defect of material and manufacturing, Fabrication S.Houle Inc. guarantees every new Farm and commercial product of the manufacturer S.Houle against any defect of material and manufacturing, within the framework of a normal use, during one year after the date of retail purchase. S.Houle will guarantee its product for (1) year, on parts and imperfection of manufacturing. This Limited Guarantee will apply only to equipments made by S Houle.

EQUIPMENT AND ACCESSORIES WHICH ARE NOT MADE BY S HOULE ARE GUARANTEED ONLY IN THE MEASURE WHICH THE GUARANTEE OF THE ORIGINAL MANUFACTURER DETERMINES AND APPROVES THAT THERE IS A MANUFACTURING DEFECT.

During the period Limited by Guarantee indicated above, any defect in the material (equipment) or in the manufacturing of any equipment fabricated by S Houle will be repaired or replaced without responsibility by an authorized independent retailer. An authorized retailer has to make the repair under guarantee or the replacement of parts. The costs of labour must be approved by Manufacturing S.Houle before beginning (undertaking) the works otherwise these could be totally refused, according to the politics (policy) of working refund (repayment) of S Houle. S.Houle reserves the right to supply parts, fort replacement which he (it) considers appropriate.

**RESPONSIBILITY OF THE BUYER:** This Limited Guarantee requires (demands) the appropriate maintenance and the overhauls of the Agricultural or commercial Equipment such as indicated in operator manual supplied with the new Equipment. The cost of the regular maintenance or the required services is the responsibility of the buyer. The buyer has to keep his invoices which prove that the maintenance were made.

The limited guarantee by maybe revoked (dismissed) by Fabrication S Houle if the above mentioned conditions (requirements) are not respected

### EXCLUSIONS AND LIMITATIONS

Guarantees WILL NOT APPLY on:

1. Any defect which was caused (according to the judgment of S. Houle by a use other than that normally planned, or by the following causes: i) accident (ii) a misuse or a carelessness (negligence) excessive use misses reasonable and appropriate maintenance, v) incorrect repair or bad installation (vi) or when warehoused (stored away) vii) modification non-authorized by S. Houle viii) natural disasters (ix) vandalism x) parts, or accessories installed on the equipment which were not made or not installed by the authorized retailer xi) elements (xii) collision or accidents.
2. Any agricultural or commercial equipment which the identification number or serial number or the trade names were changed or removed.
3. Any agricultural or commercial equipment services of which the required or recommended overhaul were executed by using parts not made, approved or supplied by S. Houle or not meeting the Specifications, but without limitation, lubricants (oil, grease) and liquids for hydraulics.
4. The equipment used for rental, industrial work, construction or if the equipment is used for a purpose other than the application in which it was designated (design) for by S. Houle.
5. Any equipment used for field demonstrations by a retailer approved by S Houle. The Guarantee will be to the discretion of S Houle or any other demonstration.
6. Any defect which was caused (according to the judgment of S Houle) by the operation of the equipment without submitting itself to the standard (in the standard) procedures of exploitation (operation) described in operator manual.
7. The Guarantee on tires is the responsibility of the manufacturer of the respective product.
8. Cost of the transport, if necessary, to transport to the retailer S. Houle.
9. In no case the responsibility of S Houle can exceed the cost of the product.
10. S. Houle will be subjected in no circumstances to be compensated, whoever it is, for the loss of income for a discontinued equipment, for a time of the repairs no matter the reason of this breakdown
11. The costs of estimation or the diagnostic and the overtime of work for the repair are not covered under this limited guarantee policy.
12. The depreciation caused by the normal wear, the lack of reasonable and appropriate maintenance, the misuse, and/or the lack of protection suited during warehousing.
13. Accessories and electronic components which are not of or from S Houle are guaranteed only under the limited Guarantee by this manufacturer.
14. Articles of wear which are registered by the group of product below:

Normal wear parts: flow divider, wear plates, the bolts, the nuts, spring blades, the swivel skid shoe, the special bolts of swivelling skid shoe, slide channels, chains and chain attachments, cast iron shoe, hydraulic hoses, swivel, clutch and their components, the gear box, the shaft, ...

**EXCLUSION FROM GUARANTEES:** S. HOULE RESERVES THE RIGHT TO MODIFY, TO CHANGE AND TO IMPROVE THEIR PRODUCTS WITHOUT INCURRING ANY OBLIGATION TO REPLACE PRODUCTS PREVIOUSLY SOLD WITH SUCH A MODIFICATION. NO PERSON IS AUTHORIZED TO GIVE ANOTHER GUARANTEE, OR TO ASSUME ANY ADDITIONAL OBLIGATION ON EQUIPMENTS MADE BY S HOULE.



**Fabrication S.Houle inc.**

300 Industrial blvd.  
St-Germain-de-Grantham, Quebec, Canada, J0C 1K0  
Phone : 819 395-4380 Fax : 819 395-5516  
Toll free : 1 888-404-4380  
E-Mail : info@shoule.com Web : www.shoule.com

**Product Registration**

**Dealer instructions:**  
Make sure registration is complete and signed.

**Product Information :**

MACHINE MODEL : \_\_\_\_\_ DELIVERY DATE : \_\_\_\_\_ / \_\_\_\_\_ / \_\_\_\_\_  
mm dd yyyy  
SERIAL NUMBER : \_\_\_\_\_  
OPTIONAL EQUIPMENT : \_\_\_\_\_

**Customer Information :**

FIRST & LAST NAME : \_\_\_\_\_ PHONE : \_\_\_\_\_  
MAILING ADDRESS : \_\_\_\_\_ EMAIL : \_\_\_\_\_  
Civic number and street  
City  
State / Province Zip Code

**Dealer Information :**

DEALER NAME : \_\_\_\_\_ PHONE : \_\_\_\_\_  
MAILING ADDRESS : \_\_\_\_\_ EMAIL : \_\_\_\_\_  
Civic number and street  
City  
State / Province Zip Code

**Signatures :**

\_\_\_\_\_  
Owner or designated representative signature  
\_\_\_\_\_  
Authorized dealer signature  
**Note : Both dealer and owner must sign in order to validate the warranty.**

**I hereby acknowledge that:**

- |  |  |
|--|--|
| <ol style="list-style-type: none"><li>1. I have received and accepted delivery of equipment described.</li><li>2. The equipment was checked thoroughly for loose or missing parts and has been adjusted in accordance with the pre-delivery checklist.</li><li>3. I have been provided with and have carefully read the instruction manual.</li><li>4. I have read and understand the nature and extent of the warranty and understand clearly that there were and are no other representations or warranties, either express or implied, made by anyone.</li><li>5. A copy of the present document must be completed and transmitted to Fa-</li></ol> | <ol style="list-style-type: none"><li>6. brication S.Houle as soon as possible, in order to process your warranty.</li><li>6. I have been advised on proper operation, maintenance and lubrication procedures of this equipment.</li><li>7. I have been instructed on and do understand the application, limitations and capacities this equipment was designed and recommended for, all as described in the Instruction Manual and other literature published by Fabrication S.Houle inc.</li></ol> |
|--|--|

ONE YEAR WARRANTY COVER PARTS ONLY, EFFECTIVE WHEN THIS FORM HAS ALL APPLICABLE INFORMATION COMPLETED, IS SIGNED BY BOTH THE OWNER AND THE DEALER AT THE TIME OF DELIVERY, THEN FORWARDED TO **FABRICATION S.HOULE INC.** WARRANTY SERVICE MAY BE DENIED IF THIS FORM CONTAINS FALSE INFORMATION OR IS INCOMPLETE.





**Fabrication S.Houle inc.**

300 boul. Industriel  
St-Germain-de-Grantham, Québec, Canada, J0C 1K0  
Tél : 819 395-4380      Téléc. : 819 395-5516  
Sans frais : 1 888-404-4380  
Courriel : [info@shoule.com](mailto:info@shoule.com)      Site : [www.shoule.com](http://www.shoule.com)

**Fabrication S.Houle inc.**

300 Industrial blvd  
St-Germain-de-Grantham, Québec, Canada, J0C 1K0  
Phone : 819 395-4380      Fax. : 819 395-5516  
Toll free : 1 888-404-4380  
E-mail : [info@shoule.com](mailto:info@shoule.com)      Web : [www.shoule.com](http://www.shoule.com)